



ROVER SERIES PARTS MANUAL

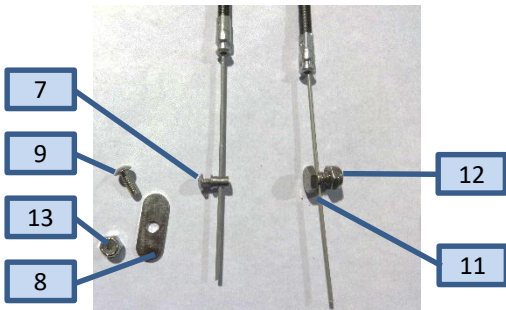
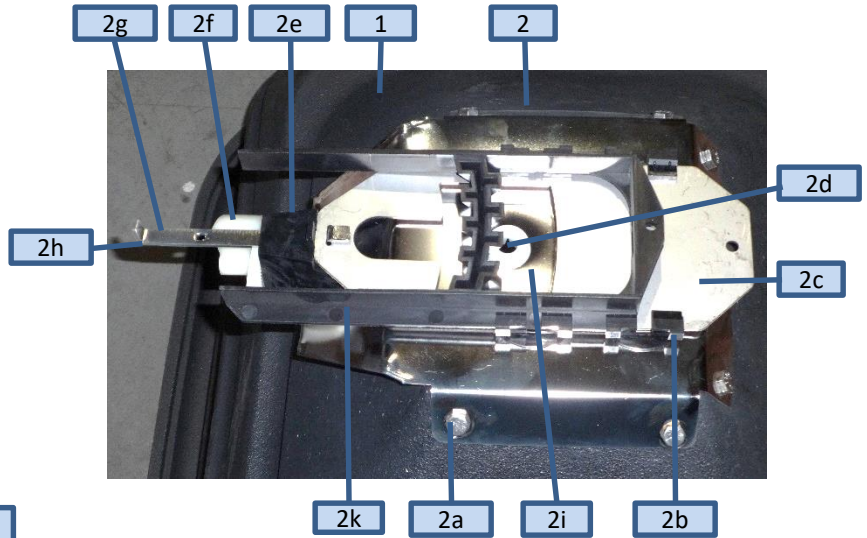
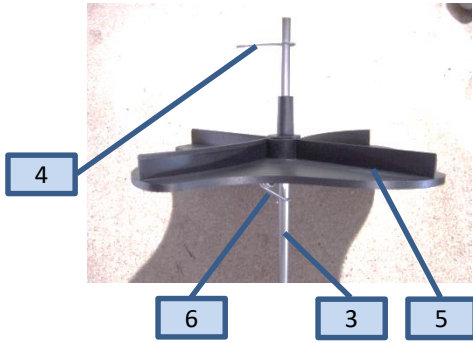
Congratulations on the purchase of your Ground Logic, Inc. machine. This product has been carefully designed and manufactured to be a dependable piece of equipment that will provide years of trouble-free operation.

For future reference, place the serial number of the machine and date of purchase below:

Serial Number: _____ Date of Purchase: _____

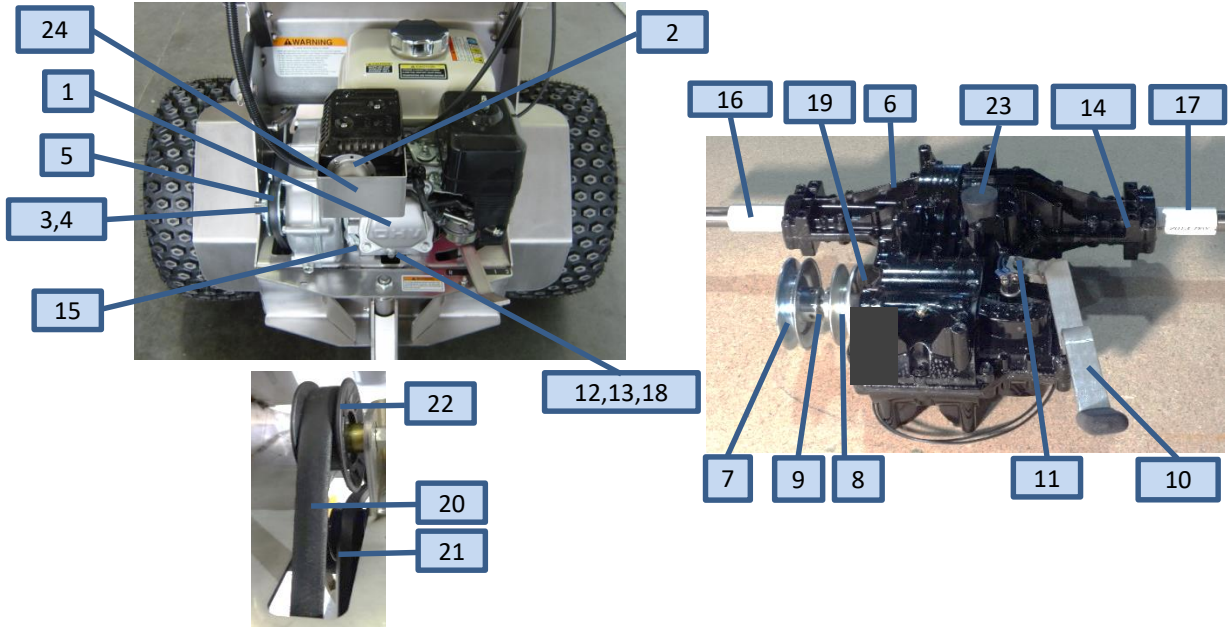
**GROUND LOGIC, INC.
ROV-12000-2 AND ROV-22000-2**

HOPPER GROUP



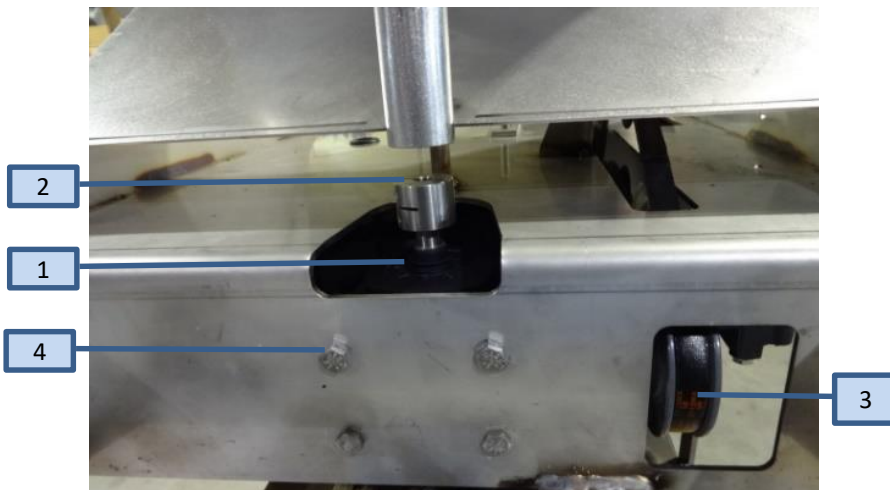
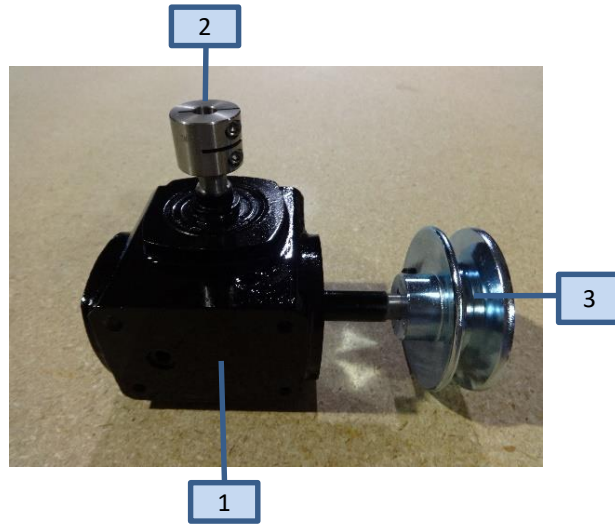
Item	Part No.	Description	Qty
1	G0100	Hopper (G0164 for Rover XR 220# hopper)	1
2	G0104	Complete gate assembly (G0172 for Rover XR 220# hopper)	1
2a	A0104	Fastener, 1/4-20 x 1/2	6
2b	G0150	Rate gate and diffuser guide	4
2c	G0151	Rate gate	1
2d	G0149	Hopper bushing	1
2e	G0155	Dial mount	1
2f	G0154	Spreader dial	1
2g	G0153	Rate gate linkage	1
2h	G0156	Pine tree clip (not shown)	1
2i	G0198	Hopper bottom plate	1
2j	F0179	Hopper screen for Rover (F0246 for Rover XR) (not shown)	1
2k	G0152	Diffuser baffle	1
3	F0238	Spinner shaft	1
4	G0106	Agitator wire	1
5	G0102	Spinner platter	1
6	G0107	Spinner clip	1
7	A0132	Accuway cable bolt/nut assembly	1
8	G0108	Cable holder plate	1
9	A0102	Fastener, #10-24 x 1/2 socket head cap	1
10	G0174	Hopper cover (not shown)	1
11	F0165	Hopper gate cable bolt	1
12	A0134	Nut, narrow nylock 1/4-20	1
13	A0103	Nylock nut, #10-24	1

POWER TRANSMISSION GROUP



Item	Part No.	Description	Qty
1	C0300	Honda engine, GX160	1
2	C0119	Exhaust deflector	1
3	C0110	Engine pulley	1
4	B0111	Key, 3/16-1/4 stepped key	1
5	C0308	Main drive v-belt	1
6	C0104	Peerless transmission	1
7	C0130	Transmission pulley	1
8	C0111	Pulley, 3.5" OD	1
9	B0168	Key, 1.5"	1
10	F0133	Shift lever	1
11	A0111	Fastener, 1/4-28 x 1/2, fine thread	1
12	A0114	Fastener, 5/16-18 x 1 3/4	4
13	A0117	Nut, nylock 5/16-18	8
14	A0116	Fastener, 5/16-18 x 3	4
15	A0153	Fastener, 5/16-18 x 2 1/4	2
16	F0198	Transmission axle spacer, left hand side	1
17	F0199	Transmission axle spacer, right hand side	1
18	A0119	Washer, 5/16	8
19	F0441	Transmission spacer (0.45")	1
20	C0309	Gearbox v-belt (A39)	1
21	C0117	Small idler pulley	1
22	C0307	V idler pulley	1
23	B0154	Vibration isolator	1
24	F0345	Exhaust shield	1

GEARBOX GROUP



Item	Part No.	Description	Qty
1	C0136	Gearbox	1
2	B0110	Coupler	1
3	C0142	Gearbox pulley	1
4	A0104	Fastener, 1/4-20 x 1/2	4

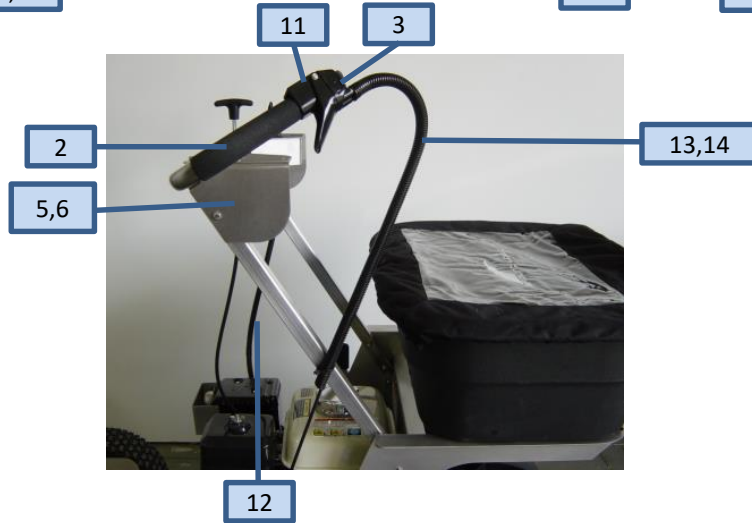
HANDLEBAR GROUP



7 8,9

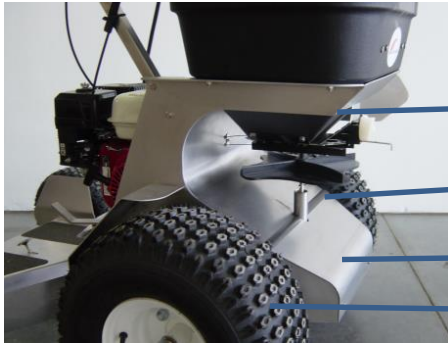


4 10 1



Item	Part No.	Description	Qty
1	S0303	Handlebar frame assembly	1
2	B0120	Grip	2
3	B0121	Tubing cap, 1" round	2
4	F0315	Console	1
5	A0106	Screw, 1/4-20 x 1 1/2	8
6	A0108	Nut, nylock 1/4-20	8
7	B0108	Cable assembly, hopper gate	1
8	A0102	Screw, #10-24 x 1/2 socket head cap	2
9	A0103	Nut, nylock #10-24	2
10	B0107	Cable assembly, turn to lock spread control	1
11	B0109	Throttle cable assembly	1
12	B0122	Split loom, 3/8 x 28	1
13	F0348	Cable support rod	1
14	B0155	Split loom, 1/2 x 24	1

MAIN FRAME GROUP

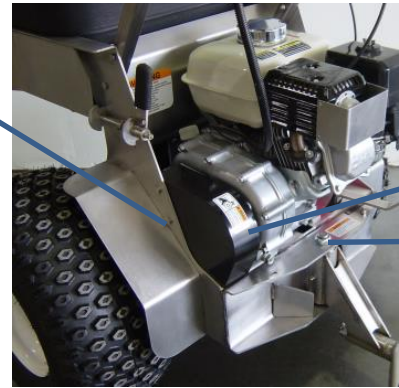


1

5

2

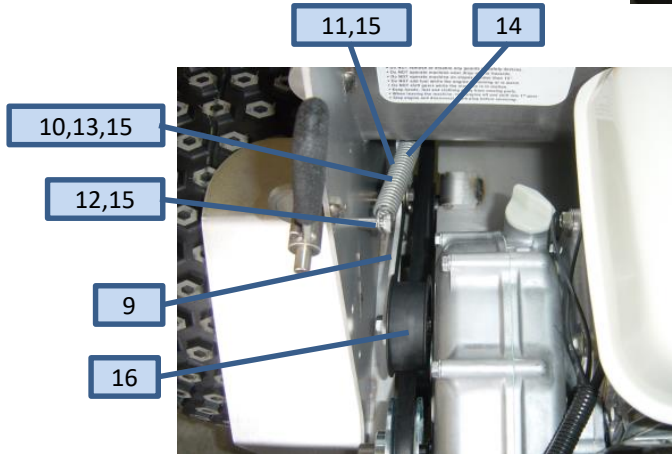
3a,b



3,8

4

6,7



11,15

14

10,13,15

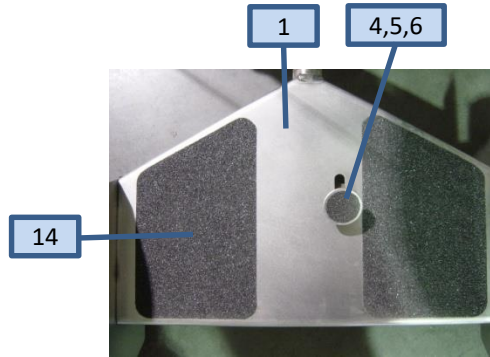
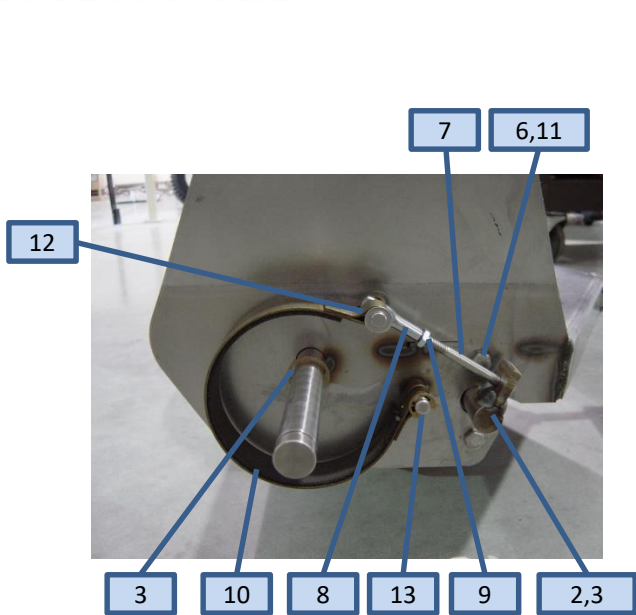
12,15

9

16

Item	Part No.	Description	Qty
1	S0305	Main frame assembly	1
2	F0344	Front cowl	1
3a	A0104	Screw, 1/4-20 x 1/2	4
3b	A0166	Clip nuts, front angle	2
4	S0112	Engine pulley cover	1
5	B0124	Front cowl trim	2
6	A0154	Screw, 3/4-10 x 6	1
7	A0155	Nut, nylock 3/4-10 thin	1
8	A0109	Clip nut, 1/4-20	2
9	S0304	Idler arm assembly	1
10	B0105	Idler arm bushing	2
11	A0128	Screw, 3/8 x 1/4 shoulder, 5/16-18 thd	1
12	A0129	Screw, 3/8 x 3/4 shoulder, 5/16-18 thd	1
13	A0163	Screw, 3/8 x 1 shoulder, 5/16-18 thd	1
14	B0125	Idler spring	2
15	A0117	Nut, nylock 5/16-18	5
16	C0306	Large idler pulley	1

OPERATOR PLATFORM GROUP



Item	Part No.	Description	Qty
1	S0300	Sulky frame assembly	1
2	F0107	Brake shaft assembly	1
3	B0117	Retaining ring, 3/4 shaft	4
4	F0111	Brake pedal	1
5	A0118	Nut, std hex 5/16-18	1
6	A0117	Nut, nylock 5/16-18	5
7	A0107	Screw, 1/4-20 x 2 1/2	2
8	A0139	Nut, 1/4-20 eye	2
9	A0142	Nut, thin jam 1/4-20	2
10	C0122	Brake band	2
11	A0113	Screw, 5/16-18 x 3/4	4
12	B0126	Clevis assembly, 1/4 x 1 1/4 with retaining rings	2
13	B0127	Retaining ring, 3/8 shaft	2
14	B0106	Anti-slip pads, 3 pieces	1
15	S0104	Platform tie plate assembly	1
16	B0102	Bushing, 7/8 id x 1 1/8 od x 1 1/2 flange x 1 long	2
17	B0148	Bearing, tapered roller cone for 5/8 shaft	2
18	B0149	Bearing seal	2
19	F0119	Spacer	2
20	B0129	Zerk	1
21	A0140	Nut, slotted castle 3/4-16	1
22	A0141	Cotter pin, 5/32 x 1 1/2	1

WHEEL ASSEMBLY GROUP

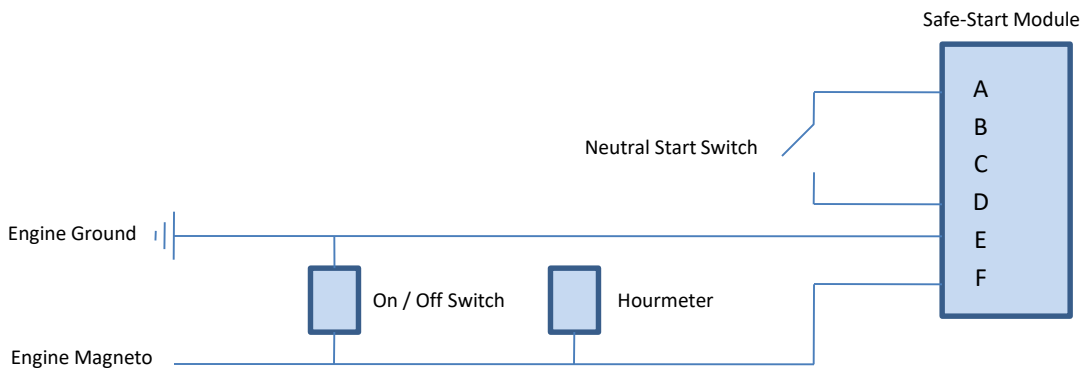
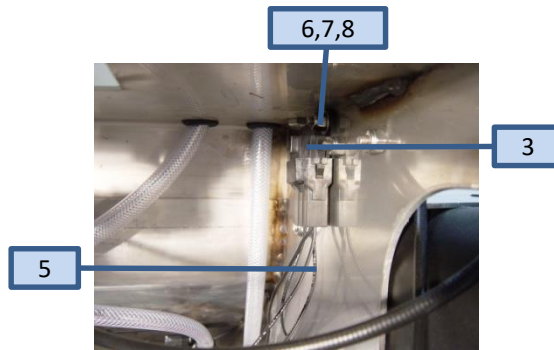


Item	Part No.	Description	Qty
1	C0106	Scorpion drive wheel tire/wheel assy	2
2	C0105	Drive wheel hub	2
3	F0198 F0199	Front hub spacer, left hand side (not shown) Front hub spacer, right hand side (not shown)	1 1
4	A0143	Lug nut, 1/2-13, zinc	8
5	B0130	E-ring, 1" shaft	2
6	B0133	Washer, 1 x 1.5 x 0.075	2
7	B0132	Key, drive axle, 1/4 square x 3 long	2
8	C0126	Rear wheel	2
9	C0123	Inner tube	2
10	C0100	Brake drum	2
11	C0101	Hub, sulky double flange	2
12	A0144	Lug nut, 5/16-18, zinc	8
13	B0117	E-ring, 3/4" shaft (not shown)	2
14	B0134	Washer, 0.75 x 1.5 x 0.075	2
15	C0102	Rear wheel assembly	2
16	C0147	Roller bearing	2
17	C0148	Bearing retainer	4

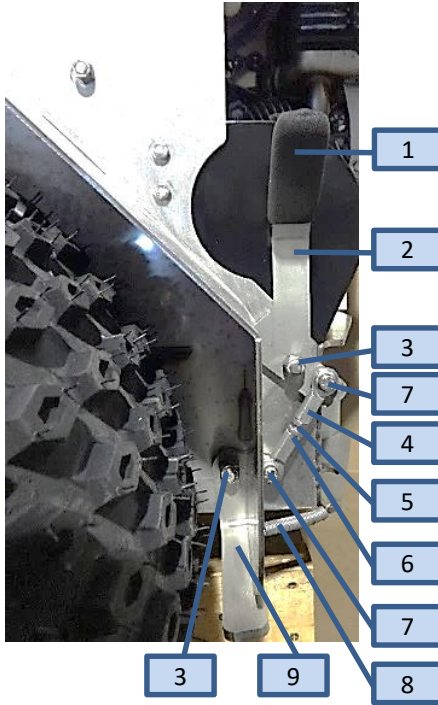
DIVERTER ASSEMBLY GROUP



Item	Part No.	Description	Qty
1	S0307	Diverter assembly	1
2	B0146	Shaft collar	1
3	B0145	Compression spring	1
4	F0333	Diverter handle	1
5	B0136	Diverter handle grip	1



Item	Part No.	Description	Qty
1	E0102	Hour meter	1
2	E0101	Ignition on/off switch	1
3	E0100	Safe-start module	1
4	E0103	Neutral start switch	1
5	E0112	Wiring harness	1
6	A0104	Screw, 1/4-20 x 1/2	1
7	A0108	Nut, nylock 1/4-20	1
8	A0110	Washer, 1/4	1

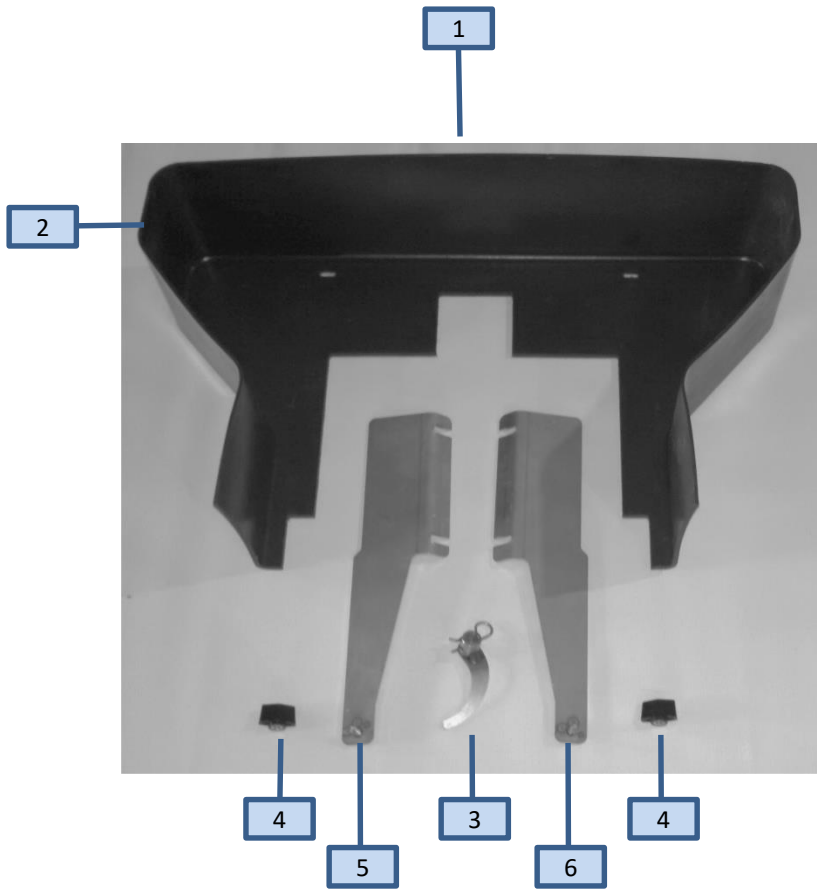


Item	Part No.	Description	Qty
1	B0136	Handle grip	1
2	F0421	Park brake handle	1
3	A0124	Nut, nylock 3/8	2
4	B0165	Park brake rod ends, 1/4-28	2
5	B0166	Park brake threaded rod, 1/4-28 x 1 1/2	1
6	A0156	Nut, 1/4-28	2
7	A0169	Bolt, 1/4-20 x 5/8	2
8	B0169	Park brake spring	1
9	F0420	Tire brake bar	1



Item	Part No.	Description	Qty
1	H0100	Gear selector label	1
2	H0101	Left console label	1
3	H0102	Right console label	1
4	H0103	Elliptical logo label	1
5	H0104	Avoid serious injury label	1
6	H0105	Exposed moving parts label	1
7	H0106	Do not operate label	1
8	H0107	Avoid flooding cylinder label	1
9	H0108	Avoid transmission damage label	1
10	H0109	Muffler and shields label	1

SALT SPREADER BAFFLE (OPTIONAL)



Item	Part No.	Description	Qty
1	SSB-120-2	Salt Spreader Baffle Assembly (120# hoppers)	1
	SSB-220-2	Salt Spreader Baffle Assembly (220# hoppers)	1
2	G0199	Salt shield	1
3	G0200	Salt agitator	1
4	G0201	Salt shield wing nuts	2
5	F0448	Shield bracket, left hand side (120# hopper)	1
	F0445	Shield bracket, left hand side (220# hopper)	1
6	F0449	Shield bracket, right hand side (120# hopper)	1
	F0446	Shield bracket, right hand side (220# hopper)	1