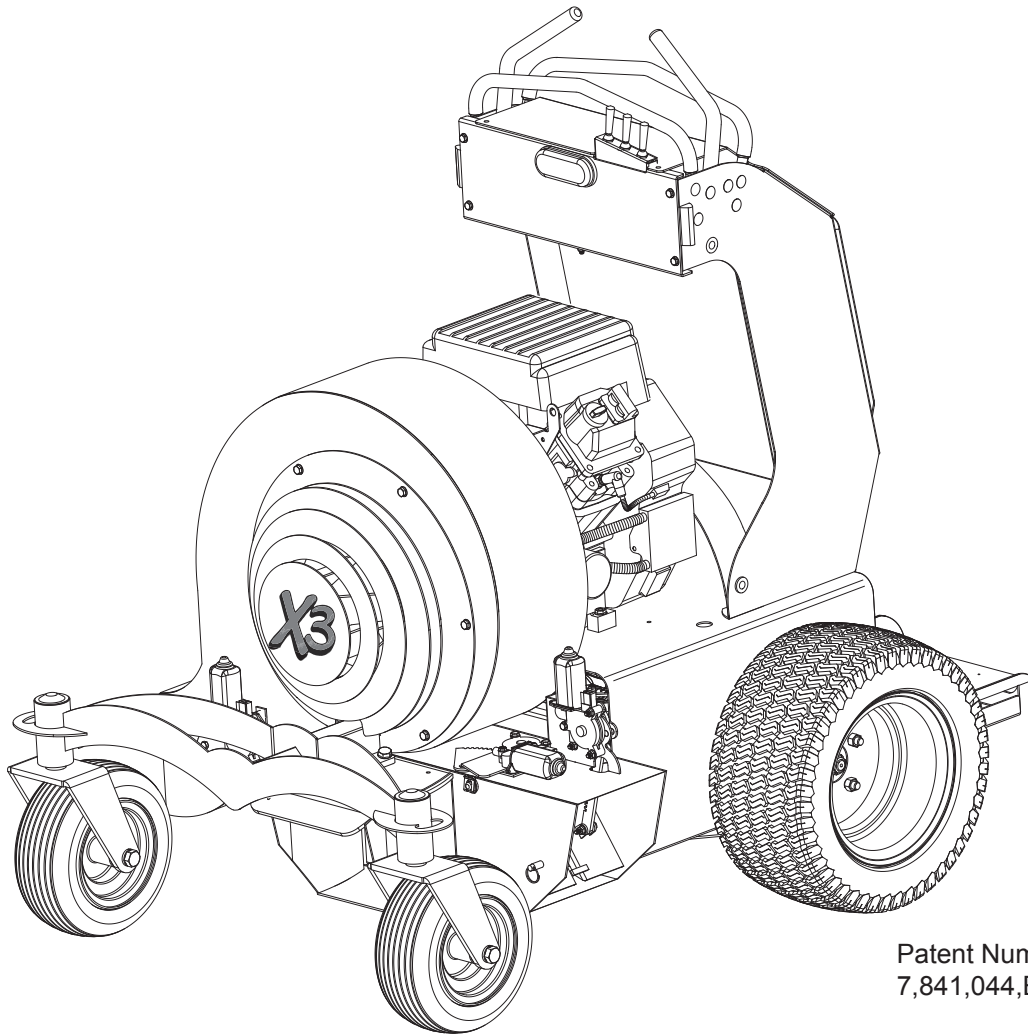


HURRICANE POWER

2014/2015/2016 X3
Commercial Debris Blower

Parts Manual



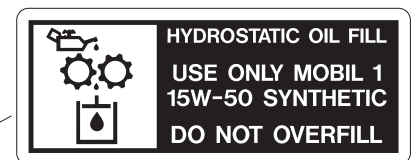
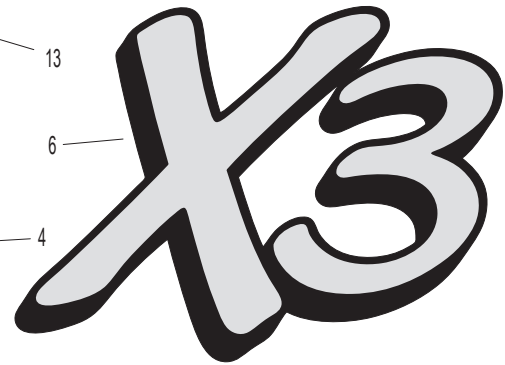
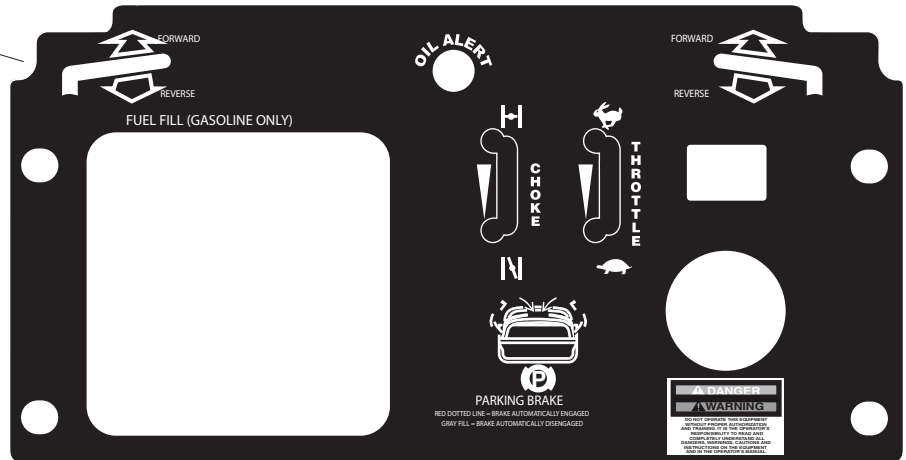
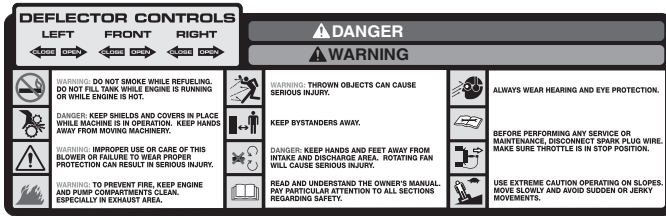
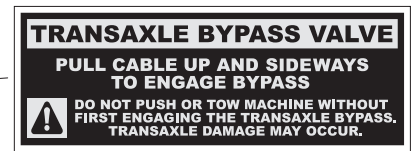
Patent Number
7,841,044,B1

DECALS

Decals

Hurricane Power

	Part Number	Description	Quantity		Part Number	Description	Quantity
1	425-4201	Front Logo Decal	1	8	425-4209	Hydro Decal	1
2	X3-4212	Data Plate	1	9	425-4206	Danger Decal	5
3	X3-4210	Top Dash Decal	1	10	425-4204	Made in the USA Decal	1
4	425-4205	Hot Decal	1	11	425-4211	Dash Controls Decal	1
5	425-4202	Left Logo Decal	1	12	314-17-42100	Trans Bypass	2
	425-4203	Right Logo Decal	1	13	X3-4213	Emergency Brake Release	1
6	X3	Safety Cover Decal	1	14	X3-16-4202	Left/Right Upright Decal	2
7	425-4208	Pinch Decal	2	15	X3-16-4201	Front Logo Decal	1



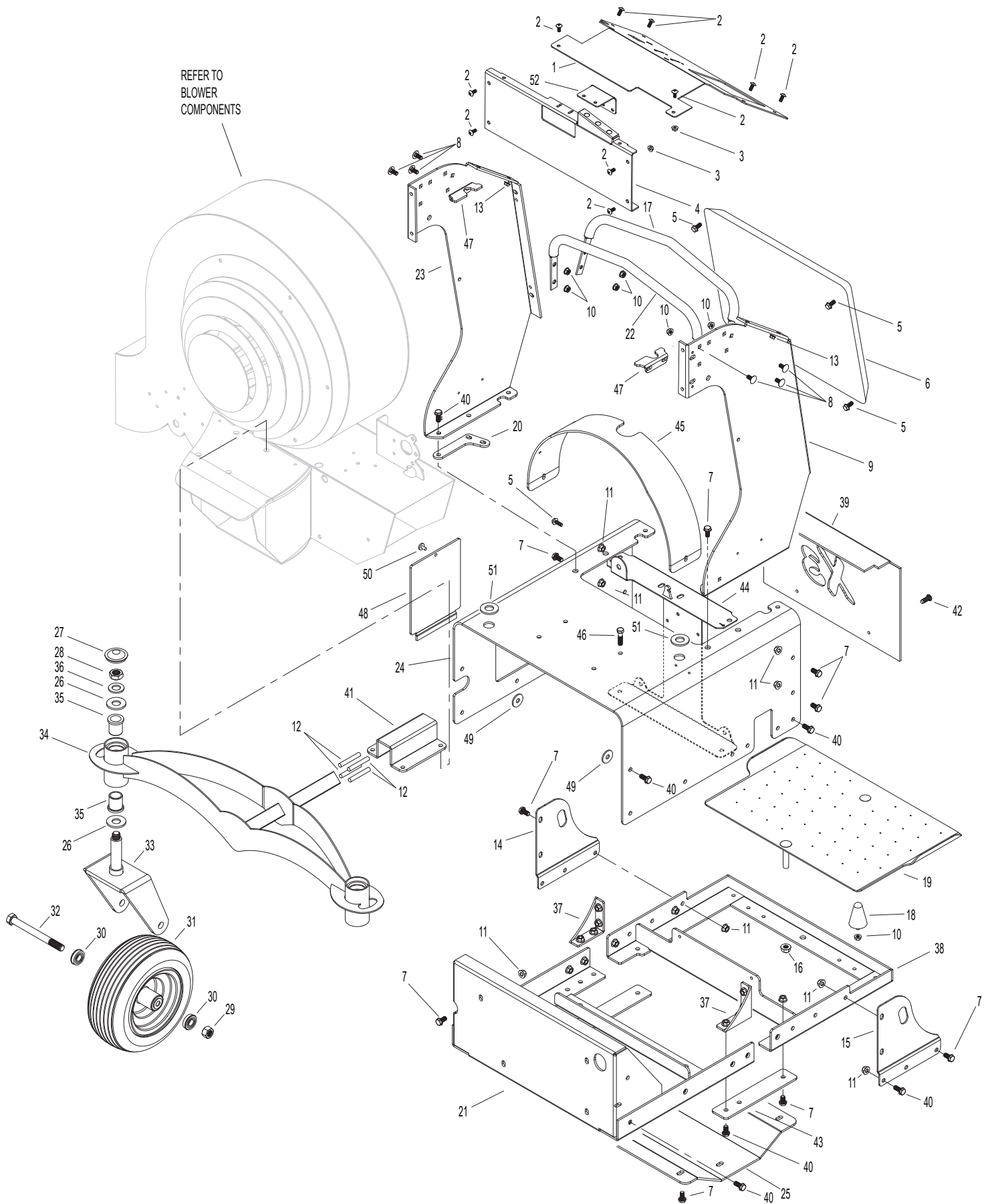
CHASSIS COMPONENTS

Chassis

Hurricane Power

Part Number	Description	Quantity	Part Number	Description	Quantity		
1	X3-1452	Dash	1	31	109-17-7012	Caster Wheel & Tire	2
2	15102	1/4-20 x 3/4 Flange Bolt	10	32	15153	Bolt 5/8-11 x 6-1/2	2
3	15101	1/4-20 Flange Nut	8	33	109-10-2010	Caster Fork	2
4	X3-1451	Dash Front Panel	1	34	X3-16-2001	Front End Frame Assembly	1
5	15108	5/16-18 x 3/4 Flange Bolt	6	35	0117-162024	Plastic Bushing	4
6	112-18-1812	Pad	1	36	15137	3/4 Machine Bushing	2
7	15112	3/8-16 x 3/4 Flange Bolt	28	37	X3-14-3017	Hydro 90° Bracket	2
8	15109	5/16-18 x 3/4 Carriage Bolt	12	38	X3-1450	Rear Chassis Frame	1
9	X3-1448	Left Upright	1	39	X3-1444	Toe Kick	1
10	15107	5/16-18 Flange Nut	18	40	15062	3/8-16 x 1 Flange Bolt	14
11	15111	3/8-16 Flange Nut	58	41	16-2002	Front End Torsion Plate	1
12	16-2003	Rubber Cord (Set of 4)	1	42	15157	5/16-18 x 1/2 Self Tapping Screw	2
13	15061	1/4-20 Riv-Nut	2	43	X3-1443	Bottom Chassis Bracket	2
14	X310-2006	Right Side Plate Tie Down	1	44	X3-14-3016	Hydro I-Beam (2014/2015)	1
15	X310-2018	Left Side Plate Tie Down	1		XF1630	Hydro I-Beam (2016)	1
16	15056	1/2-13 Nylock Jamb Nut	1	45	X3-1442	Belt Guard	1
17	16-30502	Reverse Stop	1	46	15074	3/8-16 x 1-3/4 Flange Hex Bolt	4
18	425-16-11100	Rubber Mount	4	47	X3-1440	Universal Neutral Centering Bracket	2
19	X310-2011	Foot Pad	1	48	X3-1454	Battery Door	1
20	X3-1453	Upper I-Beam Mount	2	49	X3-1455	Base Box Spacer	2
21	X3-1449	Front Chassis Frame	1	50	15313	1/4-20 x 1/2 Cap Screw With Plastic Knob	1
22	16-30501	Forward Stop	1	51	5187	Rubber Grommet	2
23	X3-1447	Right Upright	1	52	ZF15042	Relay Mount Bracket (2015/2016)	1
24	X3-1446	Base Box	1		X3-1621	Relay Mount Bracket (2014)	1
25	X3-1445	Skid Plate	1				
26	15136	1 x 10 Gauge Machine Bushing	4				
27	15161	Plastic Grease Cap	2				
28	15139	3/4-10 Nylon Jamb Nut	2				
29	15581	5/8-11 Nylock Nut	2				
30	109-17-7011	Caster Bearings	4				

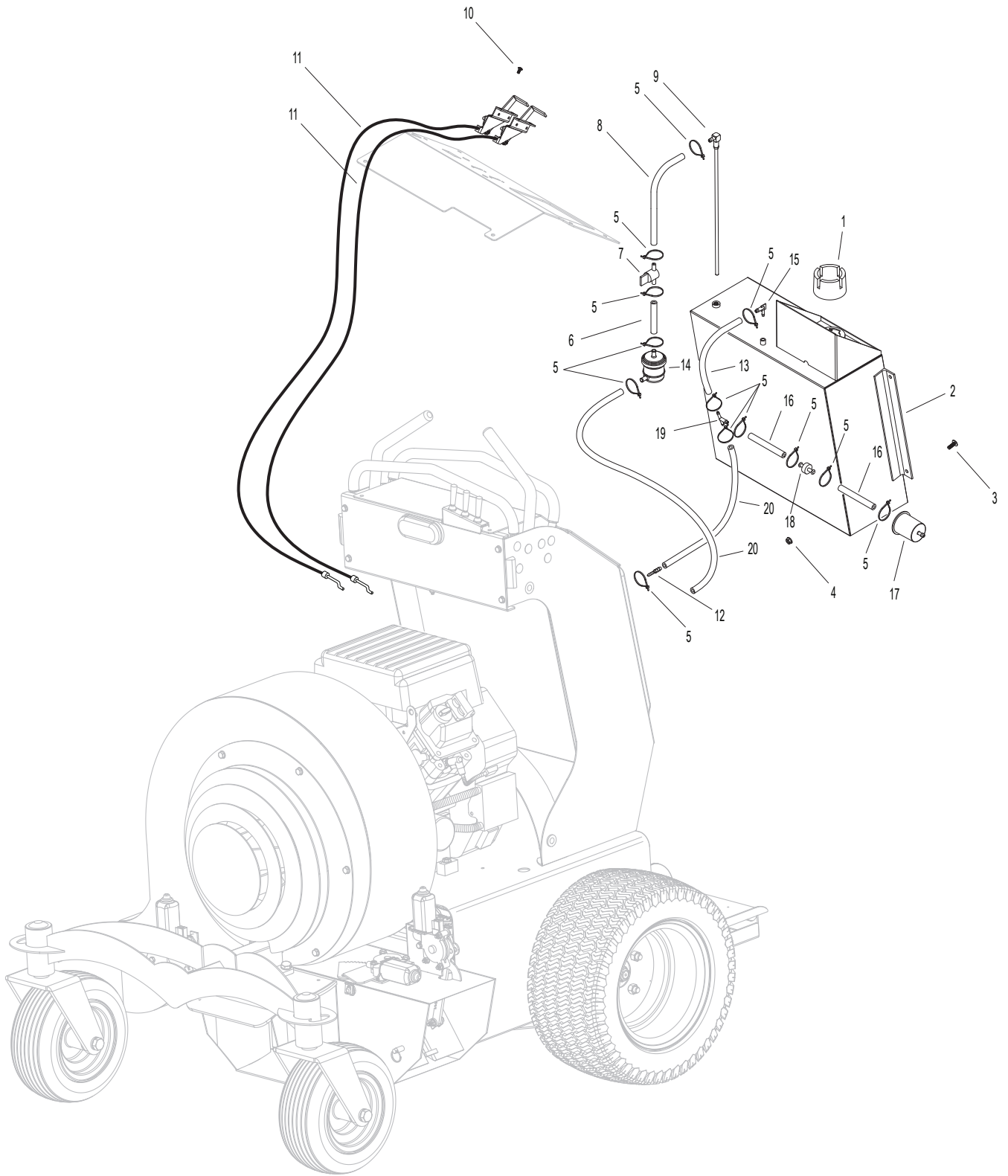
CHASSIS COMPONENTS



FUEL AND THROTTLE COMPONENTS

	Part Number	Description	Quantity		Part Number	Description	Quantity
1	1101-73601	Fuel Cap	1	11	425-1041-76010	Throttle/Choke Cable	2
2	1101-02002	Fuel Tank	1	12	110-17-5407	1/4 x 3/16 Reducer	1
3	15091	1/4-20 x 3/4 FPHMS	4	13	425-12-14280	Fuel Line 1/4 x 5-1/2	1
4	15101	1/4-20 Flange Nut	4	14	110-17-5403	Fuel Filter	1
5	425-12-1414	Spring Hose Clamp	14	15	X3-TL522	Plastic Elbow	1
6	425-12-14350	Fuel Line 1/4 x 3.5	1	16	425-12-14200	Fuel Line 1/4 x 2	2
7	1101-73805	Ball Valve Fuel Shutoff	1	17	110-17-5404	Emissions Filter	1
8	425-12-14650	Fuel Line 1/4 x 6.5	1	18	110-17-5405	Check Valve	1
9	1101-73811	Fuel Pickup	1	19	110-17-5406	1/4 Tee	1
10	15090	10-32 x 3/4 Pan Head Phillips	4	20	425-12-14900	Fuel Line 1/4 x 9	2

FUEL AND THROTTLE COMPONENTS



HYDROSTATIC COMPONENTS

Hydro

Hurricane Power

Part Number	Description	Quantity	Part Number	Description	Quantity		
1	139530	Control Grip 9-1/2"	2	31	15060	1/2 x 2-1/2 Clevis Pin	2
2	15162	1/8" Cotter Pin	4	32	15127	#77 Idler Spring (2014)	1
3	14-40-2011	Control Handle	2		16127	#98 Idler Spring (2015/2016)	1
4	15140	1/4-28 Nylock Nut	4	33	15303	1/2-13 x 2 Hex Bolt	1
5	15315	1/2 x 4-1/2 Clevis Pin	2	34	17-4101	Idler Pulley	1
6	0117-081216	Plastic Bushings	9	35	425-52114	Hydro Oil Filter	2
7	X3-1437	Lower Control Switch	1	36	15046	1/2-13 Flange Nut	1
		Bracket Right		37	X3-1434	Idler Arm (2014)	1
8	X3-1438	Lower Control Switch	1		ZF15052	Idler Arm (2015/2016)	1
		Bracket Left		38	15316	5/16 Flat Washer	1
9	15081	1/4-28 Right Hand Nut	4	39	X3-16050	Hydro Hose (2016)	2
10	2500-2100	1/4-28 x 21" Rod	2	40	107-17-3213	5/16-24 Set Screw	2
11	15086	1/4-28 Left Hand Nut	4	41	15054	1/4 x 1-1/4 Key Stock	1
12	103-17-4635	1/4-28 x 3" Turnbuckle	2	42	425-3211	Drive Pulley	1
13	2500-4000	4" Control Rod	2	43	X3-A4747	Drive Belt	1
14	106-17-4637	1/4-28 Ball Joint LH	2	44	CH740-3222	Large Diameter Crankshaft	1
15	X3-1520	Transmission Control Arm	2			Kohler Engine	
16	114-10-3008	Hydro Tank	1			(Includes Muffler)	
		Bracket (2014/2015)		45	HU144	3/8 x 7/16 Washer	2
	ZF15048	Hydro Tank Bracket	1		XF1644	Stud (2014/2015)	
		2016 (Not Shown)				Spacer Plate (2016)	1
17	15108	5/16-18 x 3/4 Flange Bolt	2	46	103-17-4633	1/4-28 Right Hand	2
18	15107	5/16-18 Flange Nut	4			90 Knuckle	
19	71354	Hydro Tank (2014/2015)	1	47	24-068103	Kohler Muffler Kit	1
	ZP15047	Hydro Tank (2016)	2			With Heat Shield	
20	15102	1/4-20 x 3/4 Flange Bolt	2	48	24-31444	Kohler Muffler Wire Guard	1
21	15101	1/4-20 Flange Nut	2	49	X3-72123ZT	Fan Pulley Kit	2
22	15083	Oetiker Clamp	4	50	3A7C-1XXX	Right Hydro Pump	1
23	X3-1424	Right Hydro	1	51	3A7B-1XXX	Left Hydro Pump	1
		Hose (2014/2015)		52	X3-14-7012	20 x 8 x 8 Drive	2
24	HU002	Hydro Fitting	2			Tire and Rim	
25	X3-1426	Left Hydro	1	53	15088	1/2-20 Lug Nut	8
		Hose (2014/2015)		54	15224	Clear Hose (2014/2015)	2
26	X3-14-14	Hydro Neutral Release	2	55	103-17-4429	Ball Stud (2016)	4*
		Cable		56	103-17-4431	Dampener Clip (2016)	4*
27	15111	3/8-16 Flange Nut	10	57	425-103-174430	Dampener (2016)	2*
28	15087	3/8-16 x 2-1/2 Flange Bolt	8	58	XF1644	Spacer Plate (2016)	1*
29	15072	3/8-16 x 9-3/8 Hex Bolt	1				
30	X3-1436	Hydro Spacer Tube	1	*	Not used on 2014/2015		

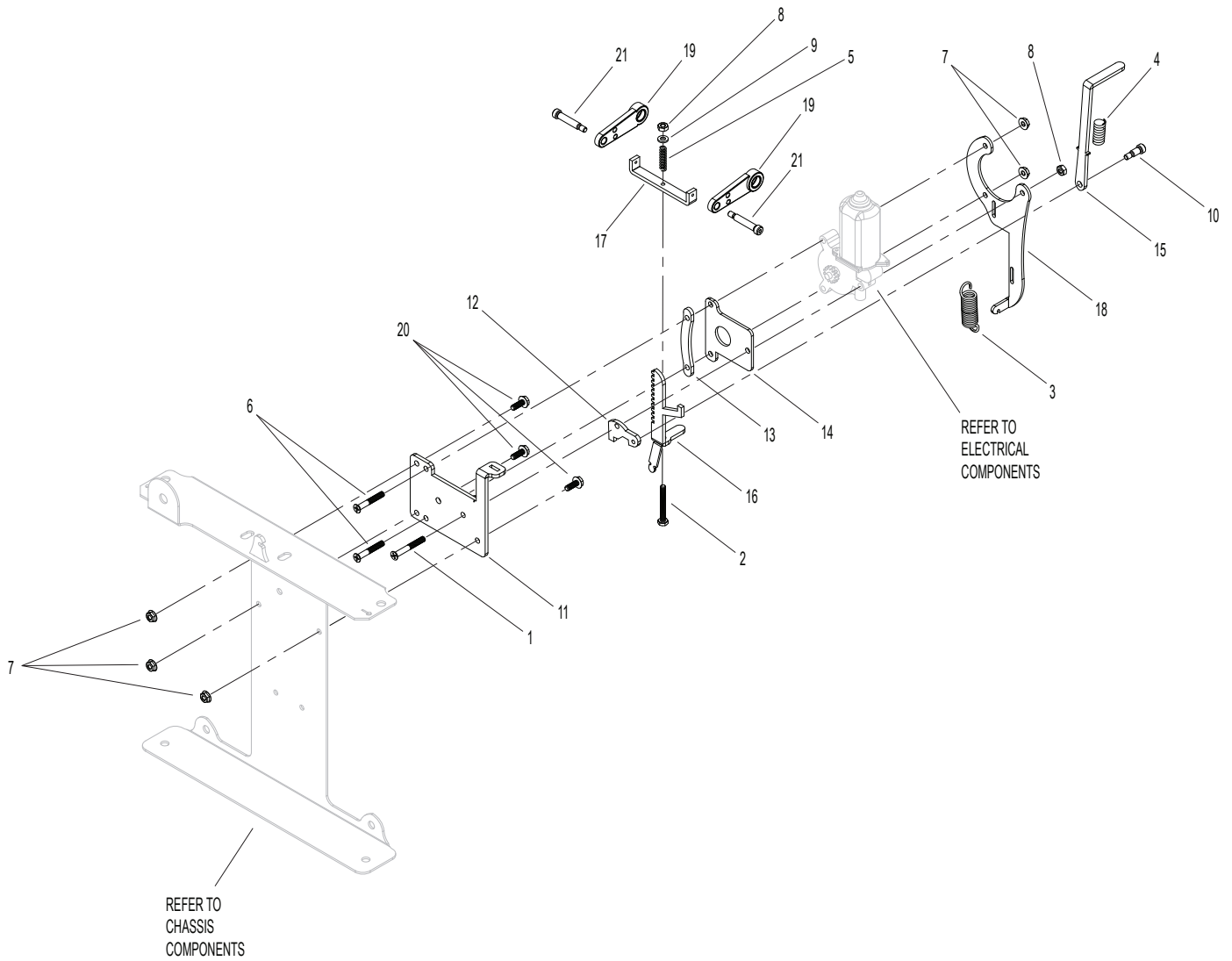
BRAKE ASSEMBLIES

Brakes

Hurricane Power

	Part Number	Description	Quantity		Part Number	Description	Quantity
1	15306	1/4-20 x 2 Phillips Head Machine	1	11	X3-1511	Brake Backing Plate	1
2	15307	1/4-20 x 2 Hex Bolt	1	12	X3-1512	Brake Cam	1
3	15128	#29 Extension Spring	1	13	X3-1513	Brake Spacer Plate	1
4	15308	#29 Compression Spring	1	14	X3-1514	Cam Cover Plate	1
5	15309	#21 Compression Spring	1	15	X3-1515	Brake Release Lever	1
6	15165	1/4-20 x 1-3/4 Phillips Head Machine Screw	2	16	X3-1516	Brake Gear Rack	1
7	15101	1/4-20 Flange Nut	5	17	X3-1517	Brake Lever Arm	1
8	15067	1/4-20 Nylock Nut	2	18	X3-1518	Switch Mounting Plate	1
9	15016	1/4 Flat Washer	1	19	X3-1519	Hydro Brake Arm	2
10	15310	5/16 x 1/2 Shoulder Bolt	1	20	15102	1/4-20 x 3/4 Flange Bolt	3
				21	153101	5/16 x 1-1/4 Shoulder Bolt	2

BRAKE ASSEMBLIES



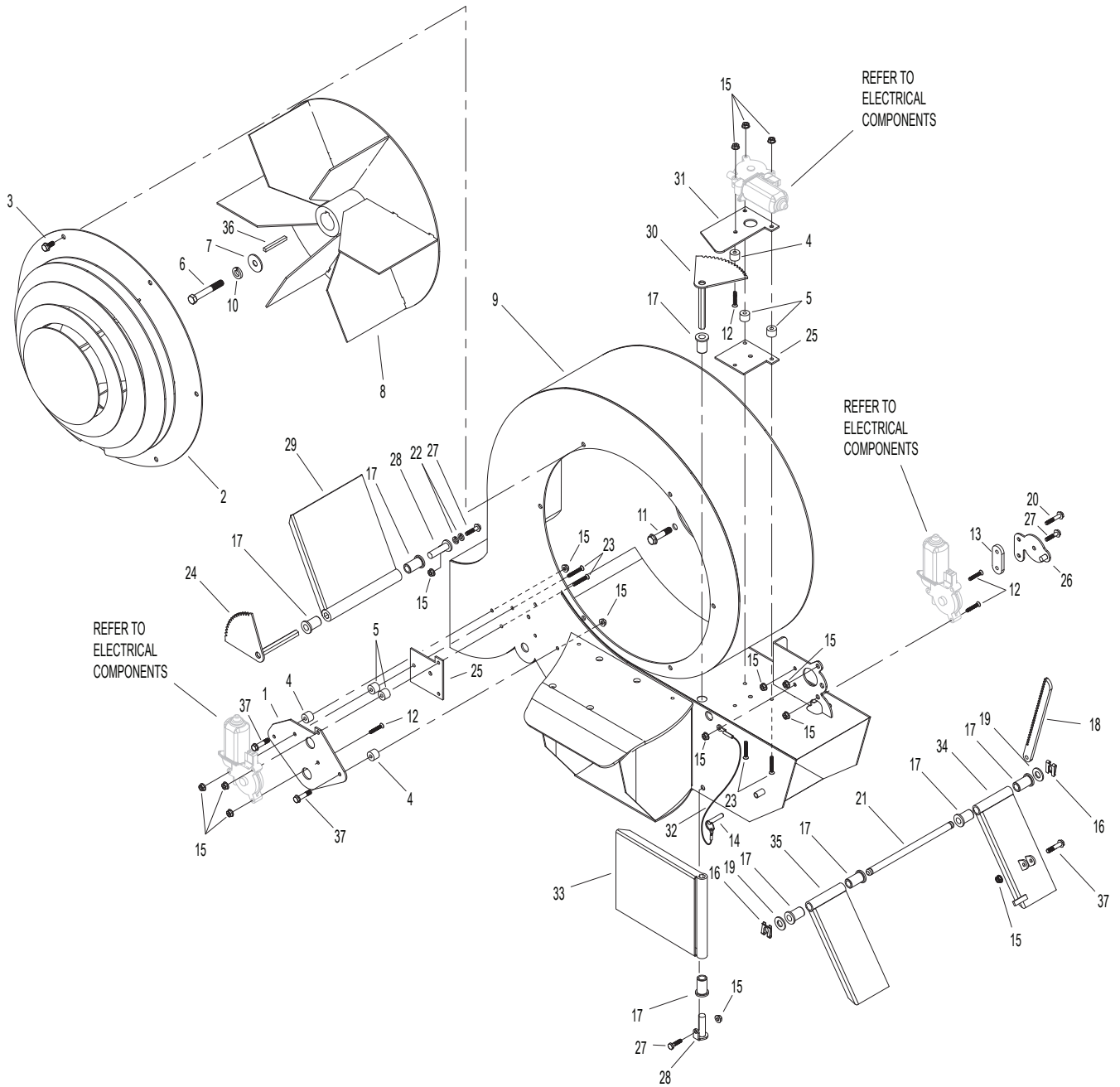
BLOWER COMPONENTS

Blower

Hurricane Power

	Part Number	Description	Quantity		Part Number	Description	Quantity
1	X310-2024	Right Deflector Cover Plate	1	14	15158	Deflector Lock Pin	1
2	X310-2049	Safety Cover	1	15	15101	1/4-20 Flange Nut	16
3	15108	5/16-18 x 3/4 Flange Bolt	6	16	101-17-6427	Safety Clip	2
4	X310-2036	Spacer	3	17	0117-081216	1/2 Plastic Bushing	8
5	15225	Spacer	4	18	101-16-1821	Deflector Rack	1
6	15092	7/16-20 x 1-1/2 Hex Bolt (2014 Model)	1	19	15124	1/2 SAE Washer	2
	15092-1	5/8-18 x 1-3/4 Hex Bolt (2015 Model)	1	20	15103	1/4-20 x 1-1/2 Flange Bolt	1
	15092-1	5/8-18 x 2-1/2 Hex Bolt (2016)	1	21	425-1011-4662	Deflector Support Rod	1
				22	15080	1/4" Lock Washer	4
				23	15165	1/4-20 x 1-3/4 Phillips Head Screw	4
7	425-1091-2009	7/16 - Impeller Washer (2014 Model)	1	24	X310-2039	Right Deflector Gear	1
	425-1091-2009-1	5/8 Impeller Washer (2015/2016)	1	25	X310-2052	Deflector Spacer Plate	2
				26	101-10-2028	Rack Keeper	1
8	X310-203727	1-1/8" Crankshaft Impeller (Kohler) (2014 Model)	1	27	15102	1/4-20 Flange Bolt	3
	X3-1637	1-7/16" Crankshaft Impeller (Kohler) 2015/2016	1	28	X310-2044	Forward Deflector Pin	2
				29	X310-2041	Right Deflector	1
				30	X310-2042	Forward Deflector Gear	1
				31	X310-2043	Forward Deflector Motor Mount	1
9	X310-205127	Blower Housing (Kohler)	1	32	XF15158	Deflector Lock Pin	1
10	15098	7/16 Lock Washer (2014 Model)	1	33	X310-2045	Forward Deflector	1
	15098-1	5/8 Lockwasher (2015/2016 Model)	1	34	X310-2046	Left Power Deflector	1
				35	X310-2047	Left Slave Deflector	1
11	16112	3/8-16 x 1-1/2 Flange Bolt	2	36	15051	1/4" Key Stock	1
12	15104	1/4-20 x 1-1/4 Phillips Head Screw	4	37	15101-1	3/8 x 2-3/4 Key Stock	1
13	101-16-2029	Rack Spacer	1		16102	1/2-20 x 1-1/4 Flange Bolt	3

BLOWER COMPONENTS



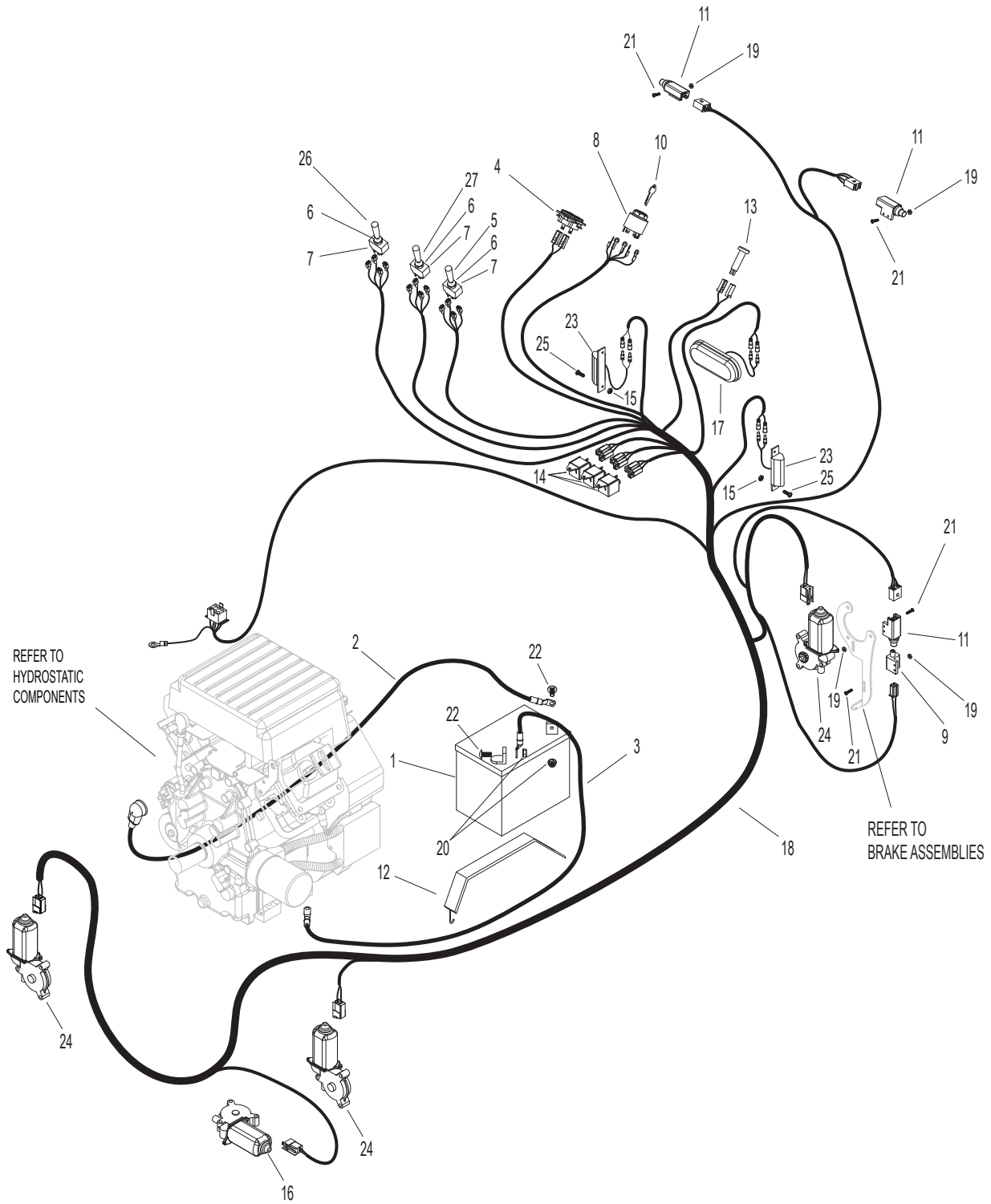
ELECTRICAL COMPONENTS

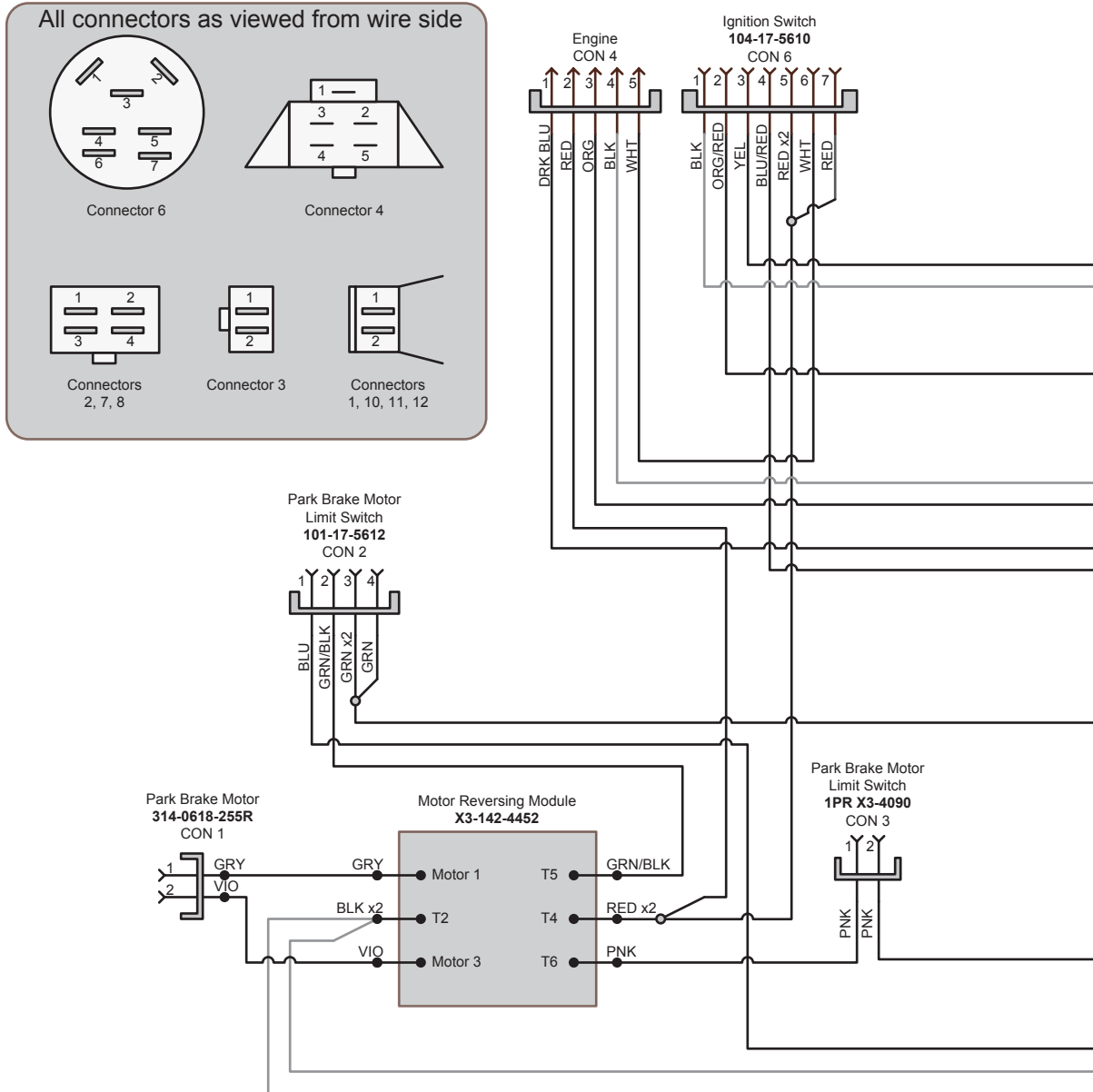
Electrical

Hurricane Power

Part Number	Description	Quantity	Part Number	Description	Quantity		
1	106-17-4001	U1 Battery	1	15	15301	8-32 Nut	4
2	X3-18-1802	Positive Battery Cable	1	16	101-18-1802	Deflector Motor Left	1
3	X3-18-1803	Negative Battery Cable	1	17	X3-630A	Headlight	1
4	104-17-5205	Tach	1	18	XP14884	Main Wiring Harness (2014)	1
	106-18-1804	Tach Harness	1		XP15884	Main Wiring Harness (2015/2016)	1
5	106-17-3005	Switch Extension (Red)	1				
6	106-17-2806	Switch Seal	3	19	15106	10-32 Keps Nut	12
7	106-17-3007	Reversing Switch	3	20	15107	5/16-18 Flange Nut	2
8	104-17-5610	Ignition Switch (Snap In)	1	21	15105	10-32 Machine Screw	12
9	X3-4090	Safety Switch (1 PR)	1	22	15109	5/16-18 x 3/4 Carriage Bolt	2
10	104-17-5608	Ignition Switch Key	1	23	X3-84422	Side Headlight	2
11	101-17-5612	Safety Switch 2P	3	24	314-0618-255R	Deflector Motor Right	3
12	16100	Battery Strap	1	25	15300	8-32 x S8 Machine Screw	4
13	104-17-2805	Warning Light	1	26	18273	Switch Extension (Black)	1
14	106-17-2817	Relay	3	27	18272	Switch Extension (Yellow)	1

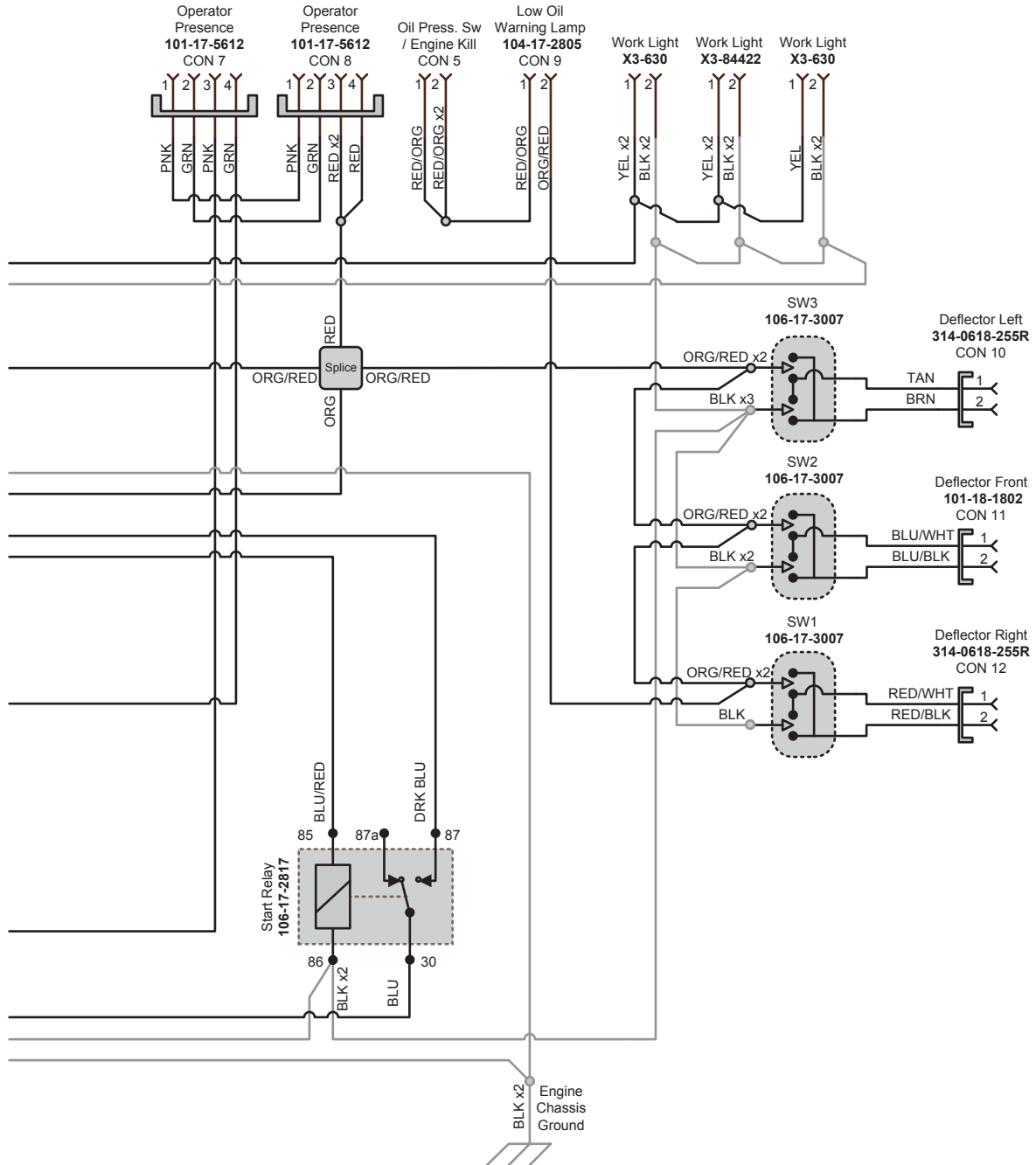
ELECTRICAL COMPONENTS





Rev: 07/01/2014

ELECTRICAL SCHEMATIC



Muskegon, MI